

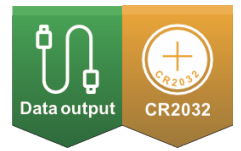
ACCUD

ACCURATE MEASUREMENT

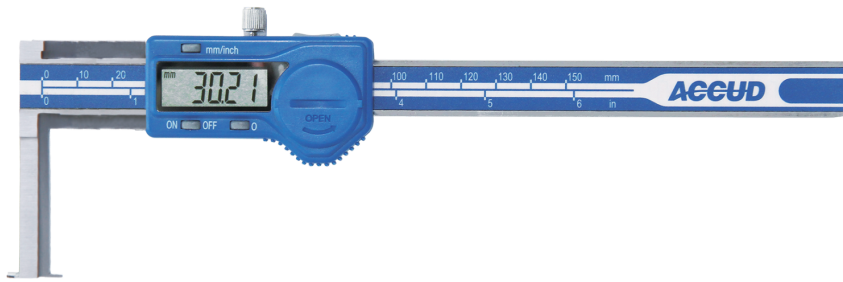


See full product range at: accud.com.au

Digital Inside Groove Caliper

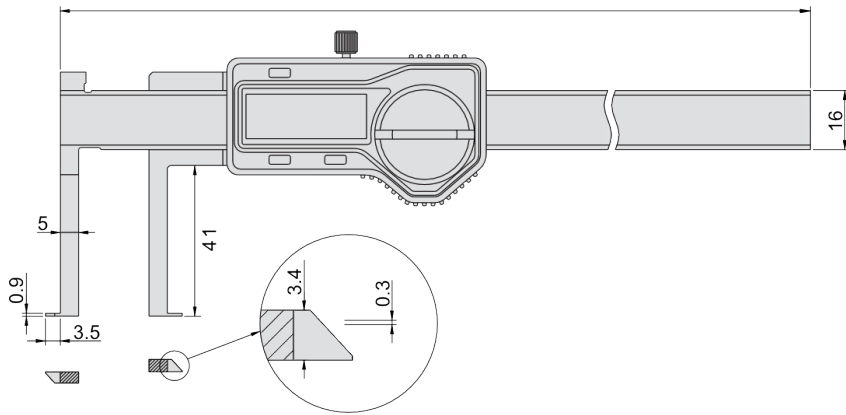


Series 132



Features

- Measure diameter of grooves inside small bores
- Resolution: 0.01mm/0.0005"
- Buttons: on/off, zero, mm/inch
- Automatic power on/off
- Data output (cable code: 100-11 or 100-12)
- Made of stainless steel



Specifications

Part No	Range	Accuracy
AC-132-006-21	10-150mm/0.39-6"	±0.04mm