

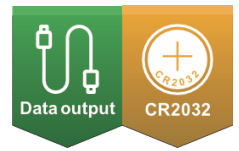
# ACCUD

## ACCURATE MEASUREMENT

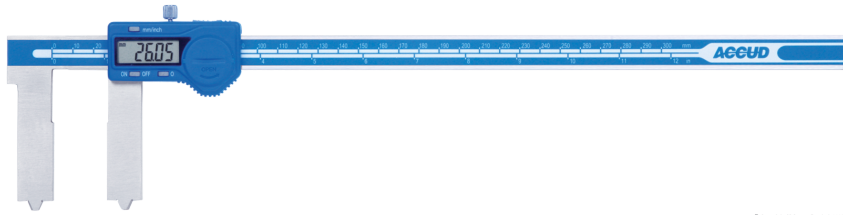


See full product range at: [accud.com.au](http://accud.com.au)

# Digital RTJ Ring Groove Caliper

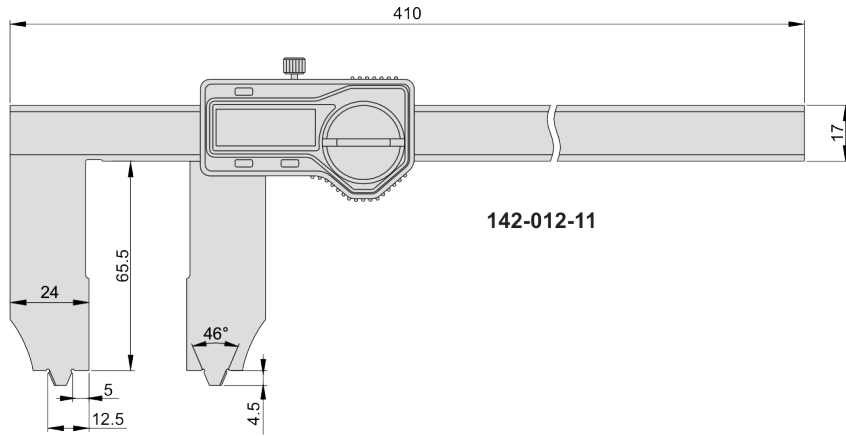


Series 142



## Features

- Measure ring grooves of flange
- Resolution: 0.01mm/0.0005"
- Automatic power on/off
- Buttons: on/off, zero, mm/inch
- Data output (cable code: 100-11 or 100-12 for 142-012-11, 100-15 for 142-024-11)
- Made of stainless steel



## Specifications

Part No	Accuracy	c	L	Upper Jaw Range	Lower Jaw Range	Angle
AC-142-012-11	±0.06mm	17	410	10-300mm/0.4-12"	25-300mm/1-12"	23°
AC-142-024-11	±0.07mm	24	770	10-600mm/0.4-24"	25-600mm/1-24"	23°