

ACCUD

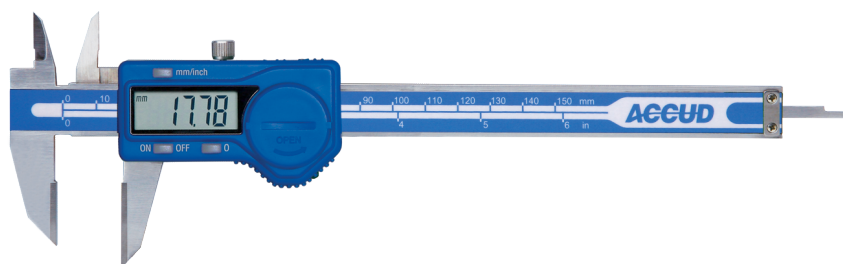
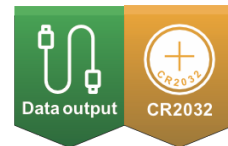
ACCURATE MEASUREMENT



See full product range at: accud.com.au

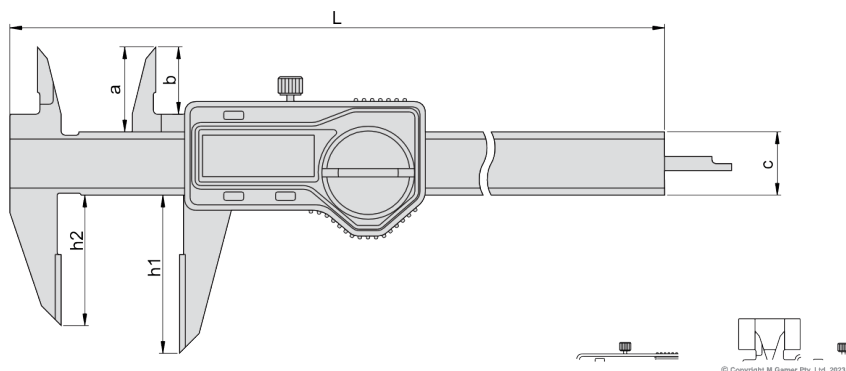
Digital Scribing Caliper

Series 155



Features

- Carbide-tipped jaws facilitate fine scribing on workpiece
- Resolution: 0.01mm/0.0005"
- Automatic power on/off
- Buttons: on/off, zero, mm/inch
- Data output (cable code: 100-11 or 100-12)
- Made of stainless steel



Specifications

Part No	Range	Accuracy	L	a	b	c	h1	h2
AC-155-006-11	0-150mm/0-6"	±0.03mm	236mm	21	16.5	16	40	33
AC-155-008-11	0-200mm/0-8"	±0.03mm	286mm	24	19.5	16	50	43
AC-155-012-11	0-300mm/0-12"	±0.04mm	386mm	25	20.5	17	60	53