

ACCUD

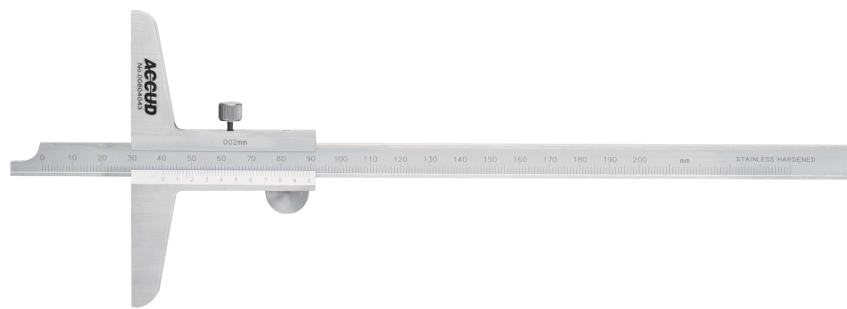
ACCURATE MEASUREMENT



See full product range at: accud.com.au

Vernier Depth Caliper

Series 177

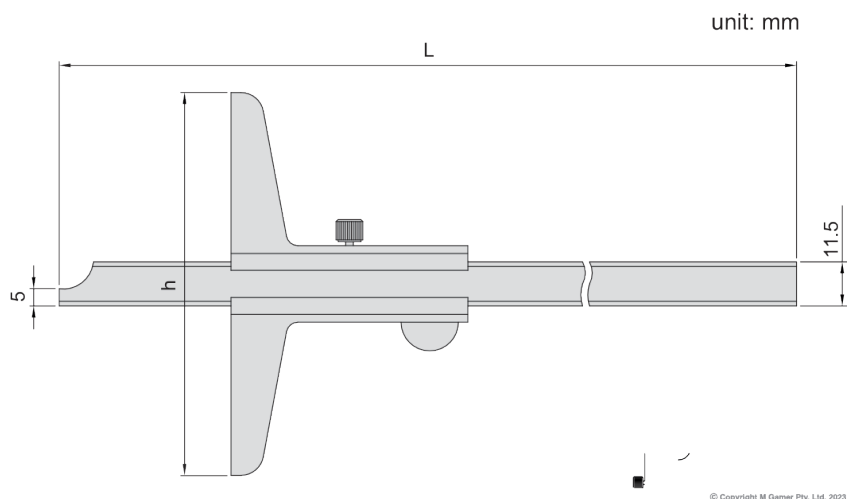


Features

Graduation: 0.02mm

Made of stainless steel

Satin chrome plated reading surface



Specifications

Part No	Range	Accuracy	h	L
AC-177-006-11	0-150mm	±0.03mm	100	245
AC-177-008-11	0-200mm	±0.03mm	100	282
AC-177-012-11	0-300mm	±0.04mm	100	382
AC-177-020-11	0-500mm	±0.05mm	150	585