

ACCUD

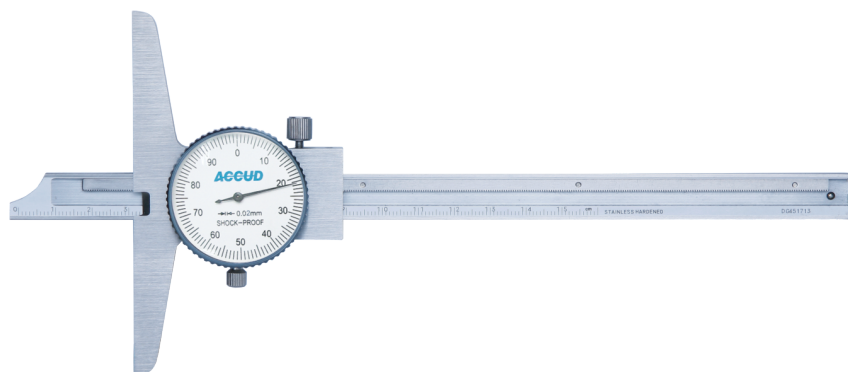
ACCURATE MEASUREMENT



See full product range at: accud.com.au

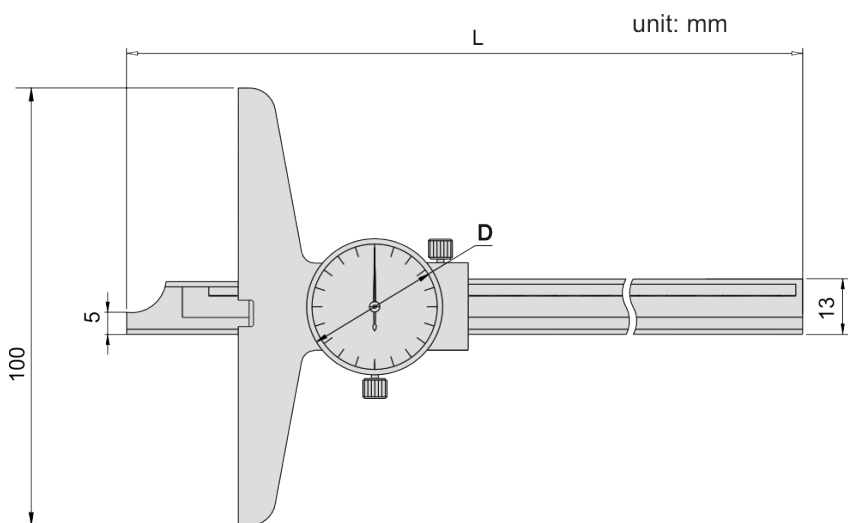
Dial Depth Caliper

Series 179



Features

- Shockproof dial indicator
- Graduation: 0.02mm
- Made of stainless steel



Specifications

Part No	Range	Accuracy	L	Diameter
AC-179-006-21	0-150mm	±0.03mm	235	Ø39
AC-179-008-21	0-200mm	±0.03mm	285	Ø39
AC-179-012-21	0-300mm	±0.04mm	308	Ø39