

# ACCUD

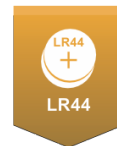
## ACCURATE MEASUREMENT



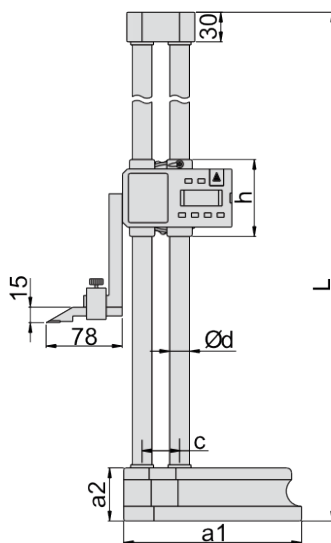
See full product range at: [accud.com.au](http://accud.com.au)

# Digital Height Gauge

Series 182



© Copyright M Gamer Pty. Ltd. 2023



type A

© Copyright M Gamer Pty. Ltd. 2023

## Features

- Resolution: 0.01mm/0.001"
- Buttons: on/off, inch/mm, ABS/INC, data preset, set data
- Carbide tipped scribe
- Made of stainless steel beam
- With driving wheel
- Optional accessory: 267 series clamps

## Specifications

Part No	Range	Accuracy	a1	a2	c	h	L	Type	Diameter
AC-182-012-11	0-300mm/0-12"	±0.04mm	135	43	33	84	475	A	Ø15
AC-182-024-11	0-600mm/0-24"	±0.05mm	180	54	38	88	810	A	Ø20
AC-182-040-11	0-1000mm/0-40"	±0.05mm	265	68	38	88	1230	B	Ø20