

ACCUD

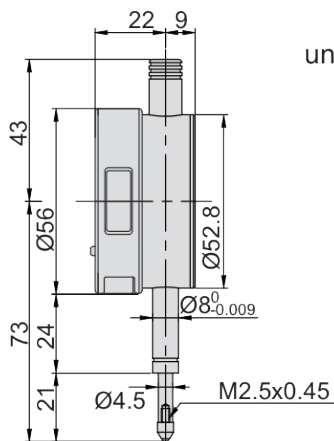
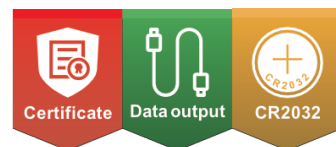
ACCURATE MEASUREMENT



See full product range at: accud.com.au

Digital Indicator

Series 212



unit: mm

Features

Button: on/off, zero, inch/mm conversion, measuring direction set, data preset absolute/incremental measurement
Data output (cable code: 200-03 or 200-04)
Automatic power off
Supplied with flat and lug back

Range: 0-12.7mm

© Copyright M Gamer Pty. Ltd. 2023

Specifications

Part No	Range	Accuracy	Hysteresis	Resolution
AC-212-010-03	12.7mm/0.5"	5µm	2µm	0.001mm/0.00005"
AC-212-010-13	12.7mm/0.5"	20µm	10µm	0.01mm/0.0005"
AC-212-025-03	25.4mm/1"	5µm	3µm	0.001mm/0.00005"
AC-212-025-13	25.4mm/1"	20µm	10µm	0.01mm/0.0005"
AC-212-050-03	50.8mm/2"	6µm	3µm	0.001mm/0.00005"
AC-212-050-13	50.8mm/2"	30µm	10µm	0.01mm/0.0005"