

ACCUD

ACCURATE MEASUREMENT



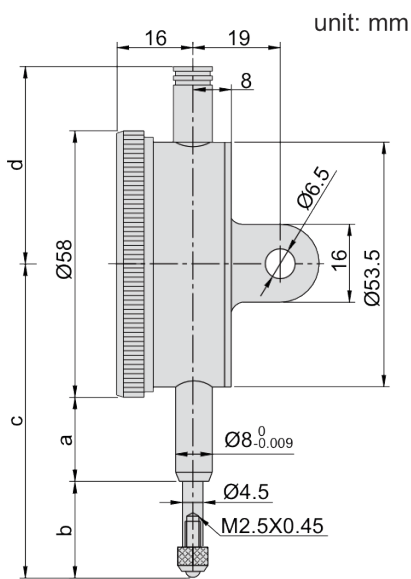
See full product range at: accud.com.au

Dial Indicator

Series 221



© Copyright M Gamer Pty. Ltd. 2023



© Copyright M Gamer Pty. Ltd. 2023

Features

- Graduation: 0.001mm
- With limit hands
- Jeweled bearing
- Range per revolution: 0.2mm
- Supplied with lug and flat back

Specifications

Part No	Range	Accuracy	Hysteresis	Scale	a	b	c	d
AC-221-001-01	1mm	5µm	2µm	0-200	15	19.5	62.5	45
AC-221-003-01	3mm	10µm	4µm	0-200	10	21.5	59.5	41.5
AC-221-005-01	5mm	10µm	4µm	0-200	10	21.5	59.5	41.5