

# ACCUD

## ACCURATE MEASUREMENT



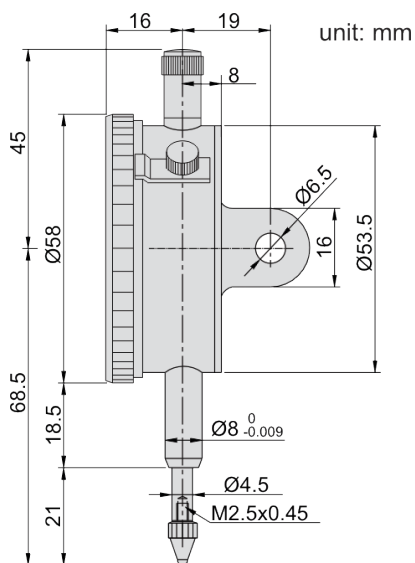
See full product range at: [accud.com.au](http://accud.com.au)

# Dial Indicator

Series 222



© Copyright M Gamer Pty, Ltd. 2023



© Copyright M Gamer Pty, Ltd. 2023

## Features

- Graduation: 0.01mm
- With limit hands
- Jeweled bearing
- Range per revolution: 1mm
- With lock screw

## Specifications

Part No	Range	Accuracy	Hysteresis	Back	Scale
AC-222-003-11	3mm	14µm	3µm	lug	0-100
AC-222-003-12	3mm	14µm	3µm	flat	0-100
AC-222-005-11	5mm	16µm	3µm	lug	0-100
AC-222-005-12	5mm	16µm	3µm	flat	0-100
AC-222-010-11	10mm	17µm	3µm	lug	0-100
AC-222-010-12	10mm	17µm	3µm	flat	0-100