

ACCUD

ACCURATE MEASUREMENT



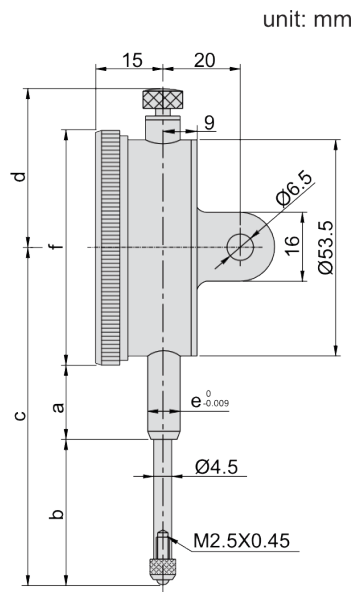
See full product range at: accud.com.au

Dial Indicator

Series 229



© Copyright M Gamer Pty. Ltd. 2023



© Copyright M Gamer Pty. Ltd. 2023

Features

- Graduation: 0.01mm
- With limit hands
- Range per revolution: 1mm
- Supplied with lug and flat back

Specifications

Part No	Range	Accuracy	Hysteresis	Scale	a	b	c	d	e	f
AC-229-020-11	20mm	25µm	5µm	0-100	20	35	83	37.5	Ø8mm	Ø58mm
AC-229-030-11	30mm	35µm	7µm	0-100	20	40	83	37.5	Ø8mm	Ø58mm