

ACCUD

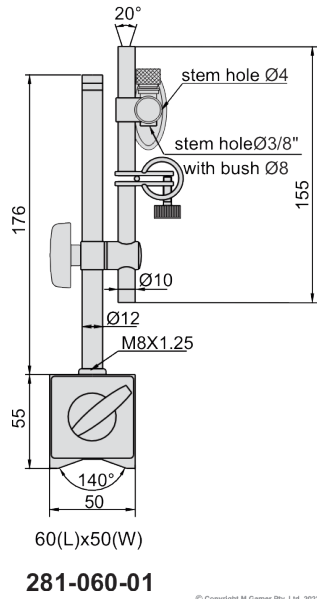
ACCURATE MEASUREMENT



See full product range at: accud.com.au

Universal Magnetic Stand

Series 281



Features

For dial/digital indicators and dial test indicators
V-block base

Specifications

Part No	Magnetic Force	Stem Hole	Fine Adjustment
AC-281-060-01	60kgf	Ø8mm, Ø4mm, 3/8"	With
AC-281-060-02	60kgf	Ø8mm, Ø4mm, 3/8"	Without
AC-281-080-01	80kgf	Ø8mm, Ø4mm, 3/8"	With
AC-281-100-01	100kgf	Ø8mm, Ø4mm, 3/8"	With
AC-281-130-01	130kgf	Ø8mm, Ø4mm, 3/8"	With