

ACCUD

ACCURATE MEASUREMENT



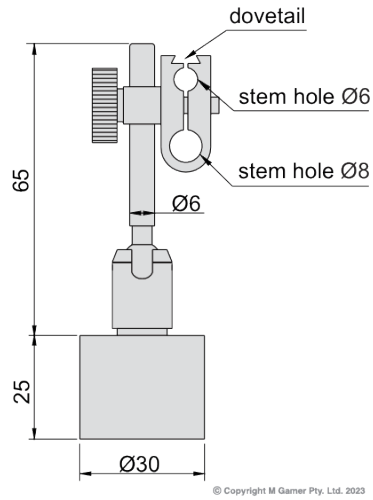
See full product range at: accud.com.au

Mini Magnetic Stand

Series 288



unit: mm



Features

For dial test indicators

Specifications

Part No	Magnetic Force	Stem Hole
AC-288-010-01	10kgf	Ø8mm, Ø6mm