

ACCUD

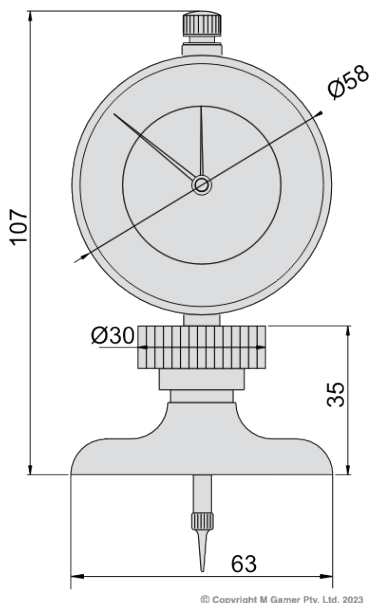
ACCURATE MEASUREMENT



See full product range at: accud.com.au

Dial Depth Indicator

Series 292



Features

Graduation: 0.01mm
Indicator travel: 30mm
Stainless steel base
With needle and ball styli
Extension rod: 25mm (1pc), 50mm (1pc), 75mm (1pc), 100mm (2pcs)

Specifications

Part No	Range	Accuracy	Base
AC-292-300-11	0-300mm	$\pm 0.03\text{mm}$	63x17mm
AC-292-300-12	0-300mm	$\pm 0.03\text{mm}$	101.5x17mm