

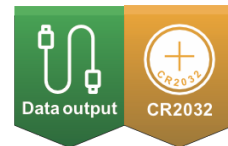
# ACCUD

## ACCURATE MEASUREMENT



See full product range at: [accud.com.au](http://accud.com.au)

# Digital Universal Micrometer

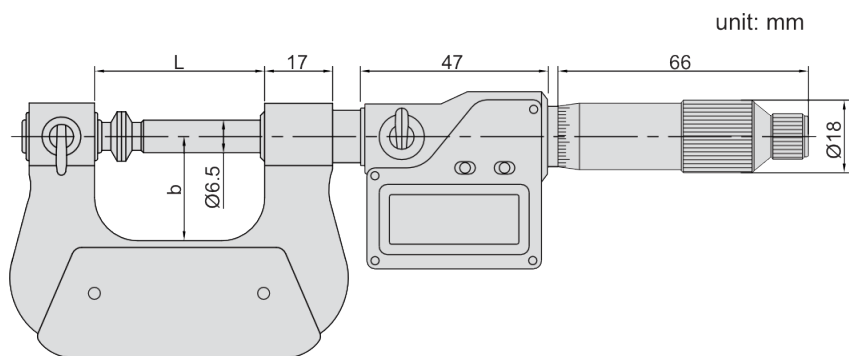


Series 302



## Features

- Resolution 0.001mm/0.00005"
- IP54 protection level
- Button: on/off, set, mm/inch, ABS/INC, data output
- Automatic power off
- Data output
- Ratchet stop
- Supplied with 7pairs of anvil/spindle tips
- Setting standards are included (except 0-25mm/0-1")
- Optional accessory: 55°anvil/spindle tip



## Specifications

Part No	Range	Accuracy	h	L	Setting Standards
AC-302-001-01	0-25mm/0-1"	4μm	26	42	-
AC-302-002-01	25-50mm/1-2"	4μm	38	67	25mm
AC-302-003-01	50-75mm/2-3"	5μm	50	92	50mm
AC-302-004-01	75-100mm/3-4"	5μm	62	118	75mm
AC-302-005-01	100-125mm/4-5"	6μm	70	143	100mm
AC-302-006-01	125-150mm/5-6"	6μm	82	168	125mm
AC-302-007-01	150-175mm/6-7"	7μm	95	192	150mm
AC-302-008-01	175-200mm/7-8"	7μm	107	217	175mm