

# ACCUD

## ACCURATE MEASUREMENT



See full product range at: [accud.com.au](http://accud.com.au)

# Digital Outside Micrometer



Series 312

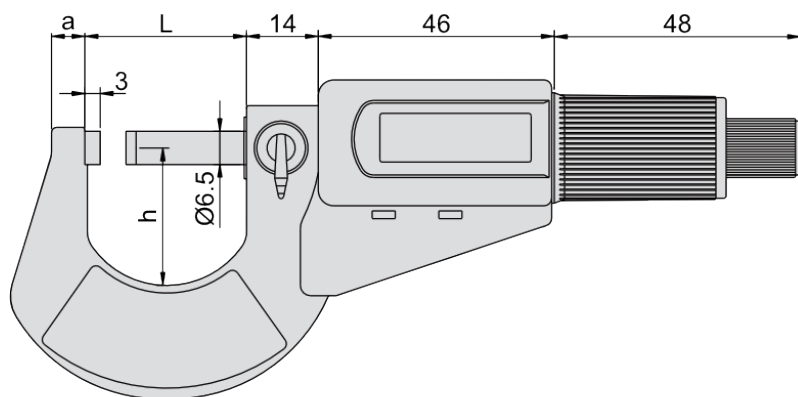


## Features

- Resolution: 0.001mm/0.00005"
- Button: ON/OFF/SET, ABS/INC/UNIT
- Carbide measuring faces
- Ratchet stop
- Setting standards are included (except 312-001-03)

© Copyright M Gamer Pty. Ltd. 2023

unit: mm



© Copyright M Gamer Pty. Ltd. 2023

## Specifications

Part No	Range	Accuracy	a	h	L	Setting Standards
AC-312-001-03	0-25mm/0-1"	±2µm	6	27.5	32	-
AC-312-002-03	25-50mm/1-2"	±2µm	8	37	57	25mm
AC-312-003-03	50-75mm/2-3"	±3µm	8	50	82	50mm
AC-312-004-03	75-100mm/3-4"	±3µm	10	61	107	75mm
AC-312-005-03	100-125mm/4-5"	±3µm	10	73	132	100mm
AC-312-006-03	125-150mm/5-6"	±3µm	10	85	157	125mm
AC-312-007-03	150-175mm/6-7"	±4µm	21	104	182	150mm
AC-312-008-03	175-200mm/7-8"	±4µm	21	117	207	175mm