

ACCUD

ACCURATE MEASUREMENT



See full product range at: accud.com.au

Digital Outside Micrometer



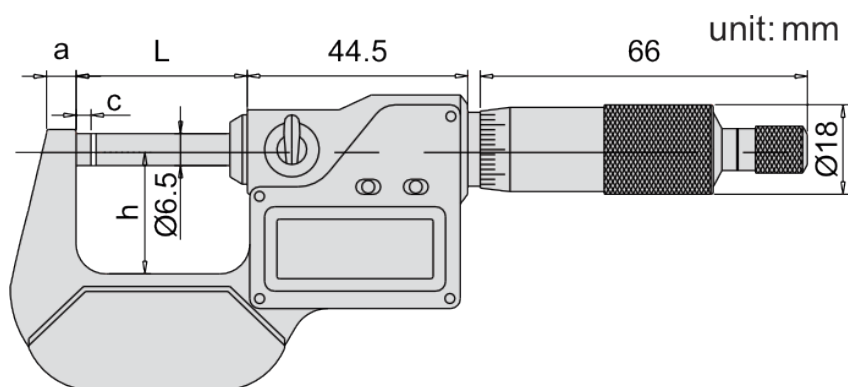
Series 313



Features

- Resolution: 0.001mm/0.00005"
- IP65 protection level
- Button: on/off, mm/inch, set, zero
- Automatic power off
- Carbide measuring faces, ratchet stop
- Setting standards are included (except 313-001-01)

© Copyright M Gamer Pty. Ltd. 2023



© Copyright M Gamer Pty. Ltd. 2023

Specifications

Part No	Range	Accuracy	a	c	h	L	Setting Standards
AC-313-001-01	0-25mm/0-1"	±2µm	6	3	25	34.5	-
AC-313-002-01	25-50mm/1-2"	±2µm	8	3	32	59.5	25mm
AC-313-003-01	50-75mm/2-3"	±3µm	8	3	44.5	84.5	50mm
AC-313-004-01	75-100mm/3-4"	±3µm	8	3	57	109.5	75mm
AC-313-005-01	100-125mm/4-5"	±3µm	10	3	70	135	100mm
AC-313-006-01	125-150mm/5-6"	±3µm	10	3	82	160.5	125mm
AC-313-007-01	150-175mm/6-7"	±4µm	12	5.5	94.5	186	150mm
AC-313-008-01	175-200mm/7-8"	±4µm	12	5.5	107	211.5	175mm