

ACCUD

ACCURATE MEASUREMENT



See full product range at: accud.com.au

Digital Outside Micrometer with Interchangeable Anvils



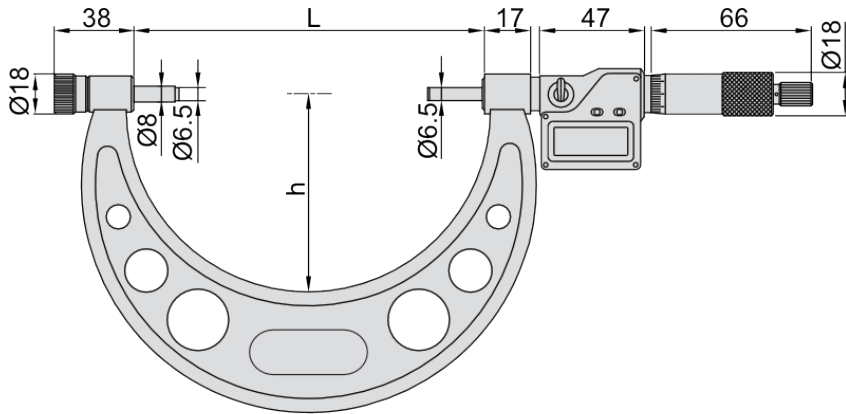
Series 315



Features

- Resolution 0.001mm/0.0001" (resolution of 315-004-01 and 315-006-01 is 0.001mm/0.00005")
- IP54 protection level
- Button: on/off, set, mm/inch, ABS/INC, data output
- Automatic power off
- Data output
- Carbide measuring faces
- Supplied with setting standards

© Copyright M Gamer Pty. Ltd. 2023



type A

© Copyright M Gamer Pty. Ltd. 2023

Specifications

Part No	Range	Accuracy	h	L	Setting Standards	Type
AC-315-004-01	0-100mm/0-4"	±5µm	57	105	25,50,75mm	A
AC-315-006-01	0-150mm/0-6"	±6µm	82	155	25,50,75,100,125mm	A
AC-315-012-01	150-300mm/6-12"	±8µm	165	305	150,175,200,225,250,275mm	A
AC-315-012-02	200-300mm/8-12"	±8µm	165	305	200,225,250,275mm	A
AC-315-016-01	300-400mm/12-16"	±9µm	224	405	325,375mm	B
AC-315-020-01	400-500mm/16-20"	±11µm	275	505	425,475mm	B
AC-315-024-01	500-600mm/20-24"	±12µm	321	605	525,575mm	B
AC-315-028-01	600-700mm/24-28"	±13µm	371	705	625,675mm	B
AC-315-032-01	700-800mm/28-32"	±15µm	426	805	725,775mm	B
AC-315-036-01	800-900mm/32-36"	±16µm	476	905	825,875mm	B
AC-315-040-01	900-1000mm/36-40"	±17µm	576	1005	925,975mm	B