

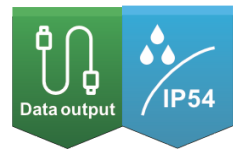
ACCUD

ACCURATE MEASUREMENT



See full product range at: accud.com.au

IP54 Digital Point Micrometer



Series 317

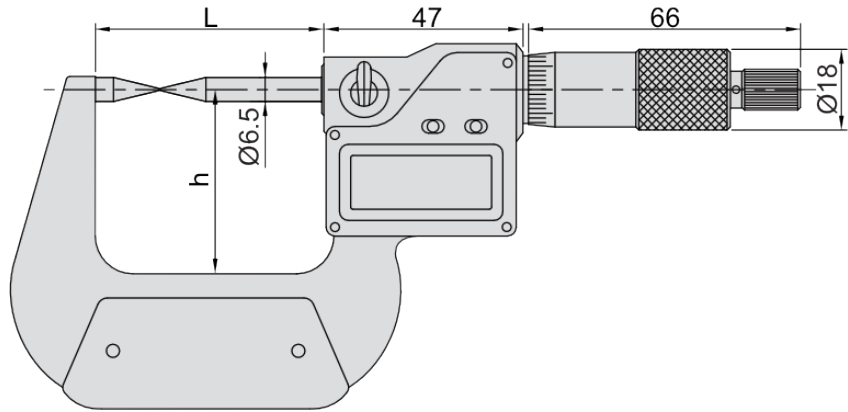


Features

- Measure the web thickness of drills, small grooves and keyways
- Resolution 0.001mm/0.00005"
- IP54 protection level
- Button: on/off, set, mm/inch, ABS/INC, data output
- Automatic power off
- Data output
- Ratchet stop
- Carbide tips
- Supplied with setting standards (except 0-25mm/0-1")

© Copyright M Gamer Pty. Ltd. 2023

unit: mm



© Copyright M Gamer Pty. Ltd. 2023

Specifications

Part No	Range	Accuracy	Setting Standards	Type
AC-317-001-01	0-25mm/0-1'	±4μm	-	A
AC-317-001-02	0-25mm/0-1'	±4μm	-	B
AC-317-002-01	25-50mm/1-2'	±4μm	25mm	A
AC-317-002-02	25-50mm/1-2'	±4μm	25mm	B
AC-317-003-01	50-75mm/2-3'	±5μm	50mm	A
AC-317-003-02	50-75mm/2-3'	±5μm	50mm	B
AC-317-004-01	75-100mm/3-4'	±5μm	75mm	A
AC-317-004-02	75-100mm/3-4'	±5μm	75mm	B