

ACCUD

ACCURATE MEASUREMENT



See full product range at: accud.com.au

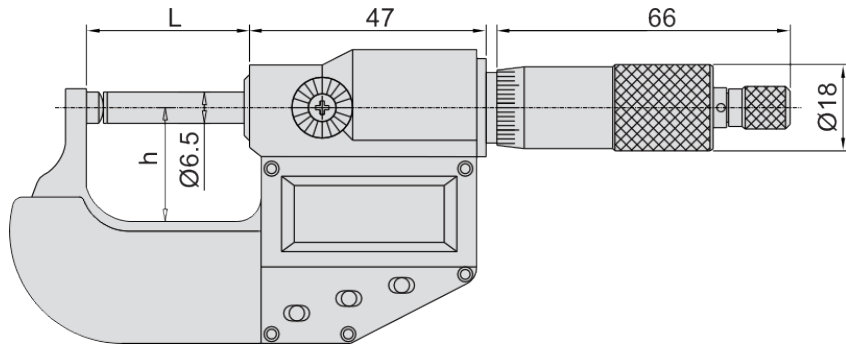
Digital Spherical Anvil Tube Micrometer



Series 331



© Copyright M Gamer Pty. Ltd. 2023



© Copyright M Gamer Pty. Ltd. 2023

Features

- Measure wall thickness of tubes
- Resolution 0.001mm/0.00005"
- IP54 protection level
- Button: on/off, set, mm/inch, ABS/INC, data output
- Automatic power off
- Data output
- Ratchet stop
- Carbide measuring faces
- Supplied with setting standards (except 0-25mm/0-1")

Specifications

Part No	Range	Accuracy	h	L	Setting Standards	Type
AC-331-001-01	0-25mm/0-1"	4μm	24	32	-	A
AC-331-001-02	0-25mm/0-1"	4μm	24	32	100mm	B
AC-331-002-01	25-50mm/1-2"	4μm	32	57	25mm	A
AC-331-002-02	25-50mm/1-2"	4μm	32	57	125mm	B
AC-331-003-01	50-75mm/2-3"	5μm	44.5	82	50mm	A
AC-331-003-02	50-75mm/2-3"	5μm	44.5	82	150mm	B
AC-331-004-01	75-100mm/3-4"	5μm	57	107	75mm	A
AC-331-004-02	75-100mm/3-4"	5μm	57	107	175mm	B