

# ACCUD

## ACCURATE MEASUREMENT



See full product range at: [accud.com.au](http://accud.com.au)

# Digital Jaw Type Micrometer



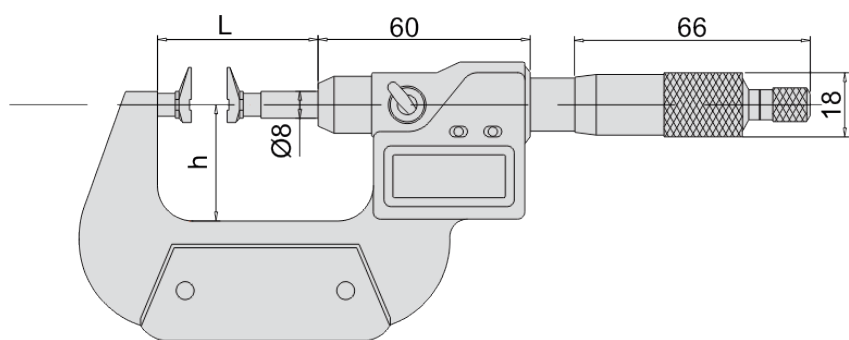
Series 339



## Features

- Resolution: 0.001mm/0.00005"
- Buttons: on/off, set, mm/inch, ABS/INC data output
- Automatic power off
- Data output
- Non-rotating spindle
- Supplied with setting standards (except 339-001-01)

© Copyright M Gamer Pty. Ltd. 2023



© Copyright M Gamer Pty. Ltd. 2023

## Specifications

Part No	Range	Accuracy	a	h	L	Setting Standards	R	Diameter
AC-339-001-01	0-25mm/0-1"	4 $\mu$ m	6.5	32	43	-	10	8
AC-339-002-01	25-50mm/1-2"	4 $\mu$ m	6.5	44.5	85	25mm	10	8
AC-339-003-01	50-75mm/2-3"	5 $\mu$ m	6.5	57	110	50mm	10	8
AC-339-004-01	75-100mm/3-4"	5 $\mu$ m	6.5	70	135	75mm	10	8
AC-339-005-01	100-125mm/4-5"	6 $\mu$ m	11.5	86	160	100mm	15	12
AC-339-006-01	125-150mm/5-6"	6 $\mu$ m	11.5	94.5	186	125mm	15	12
AC-339-007-01	150-175mm/6-7"	7 $\mu$ m	11.5	107	211	150mm	15	12
AC-339-008-01	175-200mm/7-8"	7 $\mu$ m	11.5	120	236	175mm	15	12