

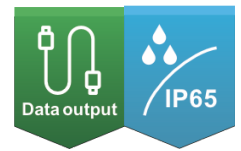
ACCUD

ACCURATE MEASUREMENT



See full product range at: accud.com.au

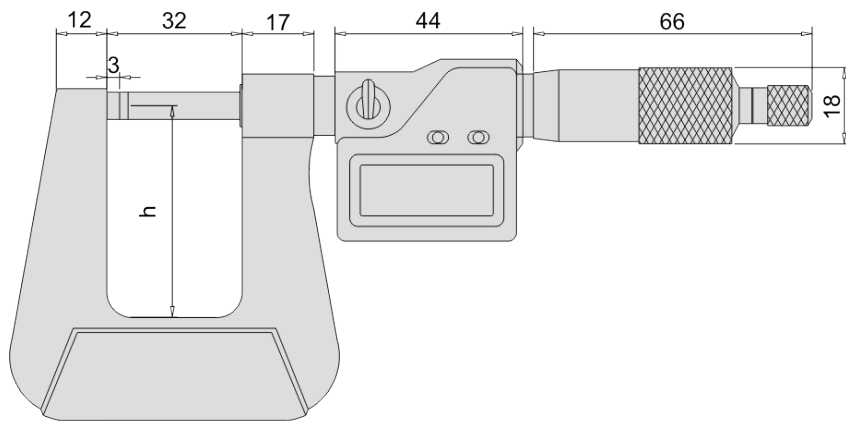
IP65 Digital Sheet Metal Micrometer



Series 350



© Copyright M Gamer Pty. Ltd. 2023



© Copyright M Gamer Pty. Ltd. 2023

Features

- Deep frame suitable for sheet metal, paper and plastic
- Resolution: 0.001mm/0.00005"
- IP65 protection level
- Button: on/off, mm/inch, set, zero, ABS/INC, date output
- Automatic power off
- Data output
- Carbide measuring faces, ratchet stop

Specifications

Part No	Range	Accuracy	h	Type
AC-350-001-11	0-25mm/0-1"	±3µm	50	A
AC-350-001-12	0-25mm/0-1"	±5µm	100	A
AC-350-001-13	0-25mm/0-1"	±7µm	150	A
AC-350-001-21	0-25mm/0-1"	±3µm	50	B
AC-350-001-22	0-25mm/0-1"	±5µm	100	B
AC-350-001-23	0-25mm/0-1"	±7µm	150	B
AC-350-001-31	0-25mm/0-1"	±3µm	50	C
AC-350-001-32	0-25mm/0-1"	±5µm	100	C
AC-350-001-33	0-25mm/0-1"	±7µm	150	C