

ACCUD

ACCURATE MEASUREMENT



See full product range at: accud.com.au

Inside Micrometer

Series 351



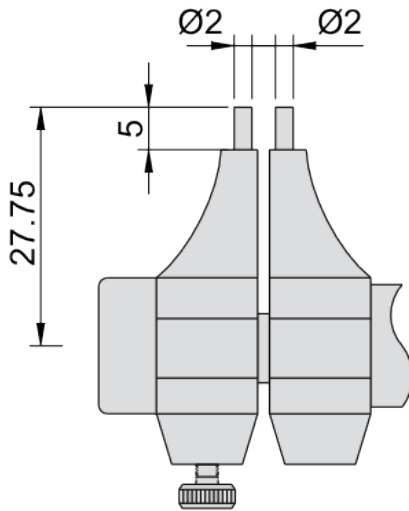
Features

- Graduation: 0.01mm
- Carbide measuring faces
- Ratchet stop

© Copyright M Gamer Pty. Ltd. 2023

type A

unit: mm



© Copyright M Gamer Pty. Ltd. 2023

Specifications

Part No	Range	Accuracy	Setting Ring	Type
AC-351-001-01	5-30mm	5 μ m	5mm	A
AC-351-002-01	25-50mm	6 μ m	25mm	B
AC-351-003-01	50-75mm	7 μ m	optional	C
AC-351-004-01	75-100mm	8 μ m	optional	C
AC-351-005-01	100-125mm	9 μ m	optional	C
AC-351-006-01	125-150mm	9 μ m	optional	C
AC-351-007-01	150-175mm	10 μ m	optional	C
AC-351-008-01	175-200mm	10 μ m	optional	C
AC-351-009-01	200-225mm	11 μ m	optional	C
AC-351-010-01	225-250mm	11 μ m	optional	C
AC-351-011-01	250-275mm	12 μ m	optional	C
AC-351-012-01	275-300mm	14 μ m	optional	C