

ACCUD

ACCURATE MEASUREMENT



See full product range at: accud.com.au

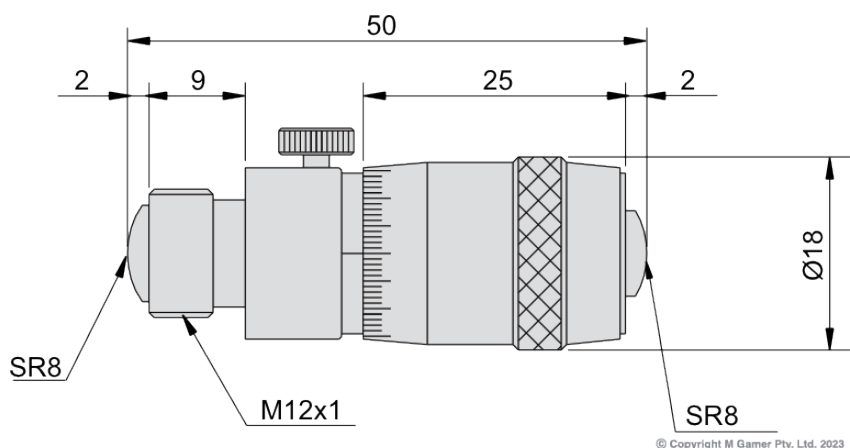
Tubular Inside Micrometer

Series 352



Features

- Graduation: 0.01mm
- Travel of micrometer head: 13mm
- Accuracy: $(3+n+L/50)\mu\text{m}$, n is number of rods, L is max. measuring length in mm
- Supplied with setting standards
- Carbide measuring faces



Specifications

Part No	Range	Extension Rod
AC-352-002-01	50-63mm	-
AC-352-006-01	50-150mm	13, 25, 50
AC-352-012-01	50-300mm	13, 25, 50(2pcs), 100
AC-352-020-01	50-500mm	13, 25, 50(2pcs), 100, 200
AC-352-024-01	50-600mm	13, 25, 50, 100, 150, 200
AC-352-040-01	50-1000mm	13, 25, 50(2pcs), 100, 200(2pcs), 300
AC-352-060-01	50-1500mm	13, 25, 50(2pcs), 100, 200(3pcs), 300(2pcs)