

ACCUD

ACCURATE MEASUREMENT



See full product range at: accud.com.au

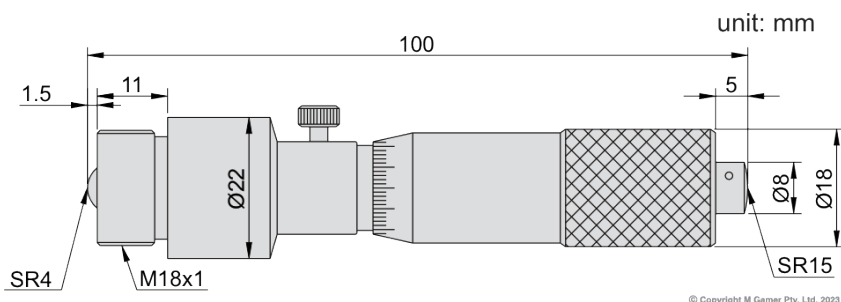
Tubular Inside Micrometer

Series 353



Features

- Graduation 0.01mm
- Accuracy: $(3+n+L/50)\mu\text{m}$
- n is number of rods, L is maximum measuring length in mm
- Travel of micrometer head: 25mm
- Supplied with setting standards
- Carbide measuring faces



Specifications

Part No	Range	Extension Rod
AC-353-005-01	100-125mm	-
AC-353-020-01	100-500mm	25, 50, 100, 200
AC-353-036-01	100-900mm	25, 50, 100, 200, 400
AC-353-052-01	100-1300mm	25, 50, 100, 200, 400(2pcs)
AC-353-068-01	100-1700mm	25, 50, 100, 200, 400(3pcs)
AC-353-084-01	100-2100mm	25, 50, 100, 200, 400(4pcs)