

ACCUD

ACCURATE MEASUREMENT



See full product range at: accud.com.au

Tubular Inside Micrometer

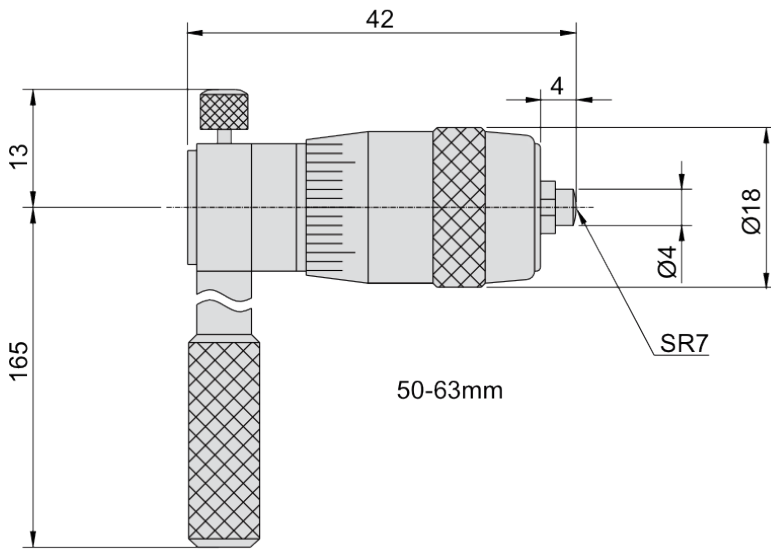
Series 355



Features

Graduation 0.01mm
 Accuracy: $(6+L/50)\mu\text{m}$
 L=maximum measuring length(mm)
 Optional accessory: setting ring(code 531)

unit: mm



© Copyright M Gamer Pty. Ltd. 2023

Specifications

Part No	Range	Extension Rod	Travel of Micrometer Head
AC-355-001-01	25-32mm	-	7mm
AC-355-002-01	25-50mm	2pcs	7mm
AC-355-003-01	50-63mm	-	13mm
AC-355-008-01	50-200mm	6pcs	13mm
AC-355-009-01	200-225mm	-	25mm
AC-355-012-01	50-300mm	10pcs	13mm
AC-355-020-01	200-500mm	3pcs	25mm
AC-355-040-01	200-1000mm	8pcs	25mm