

ACCUD

ACCURATE MEASUREMENT



See full product range at: accud.com.au

Digital Micrometer Head

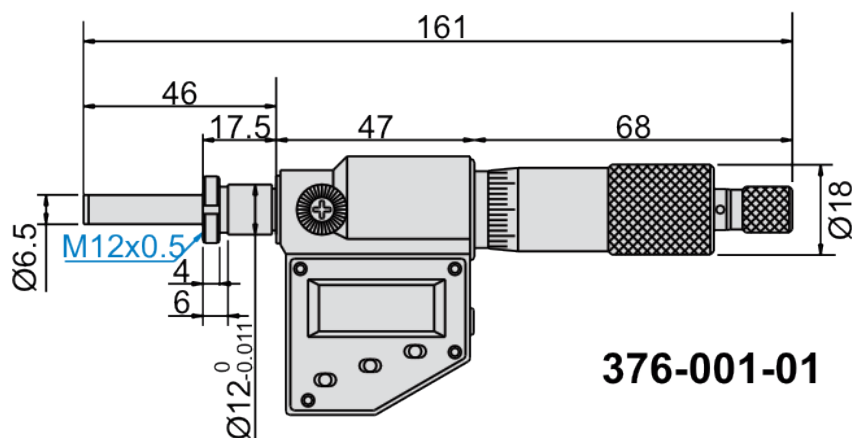
Series 376



© Copyright M Gamer Pty. Ltd. 2023

Features

- Resolution 0.001mm/0.00005"
- IP54 protection level
- Button: on/off, set, mm/inch, ABS/INC, data output
- Automatic power off
- Data output
- Ratchet stop



© Copyright M Gamer Pty. Ltd. 2023

Specifications

Part No	Range	Accuracy	Type	Stem	Spindle Tip
AC-376-001-01	0-25mm/0-1"	±2µm	Rotating Spindle	with clamp nut	flat(carbide)
AC-376-001-02	0-25mm/0-1"	±2µm	Rotating Spindle	plain	flat(carbide)
AC-376-001-03	0-25mm/0-1"	±2µm	Rotating Spindle	with clamp nut	spherical(SR5)
AC-376-001-04	0-25mm/0-1"	±2µm	Rotating Spindle	plain	spherical(SR5)
AC-376-001-05	0-25mm/0-1"	±2µm	Non-rotating Spindle	plain	flat(carbide)
AC-376-002-01	0-50mm/0-2"	±4µm	Rotating Spindle	plain	flat(carbide)