

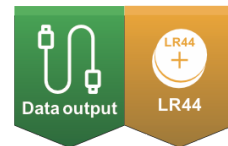
# ACCUD

## ACCURATE MEASUREMENT



See full product range at: [accud.com.au](http://accud.com.au)

# Digital Depth Micrometer



Series 395

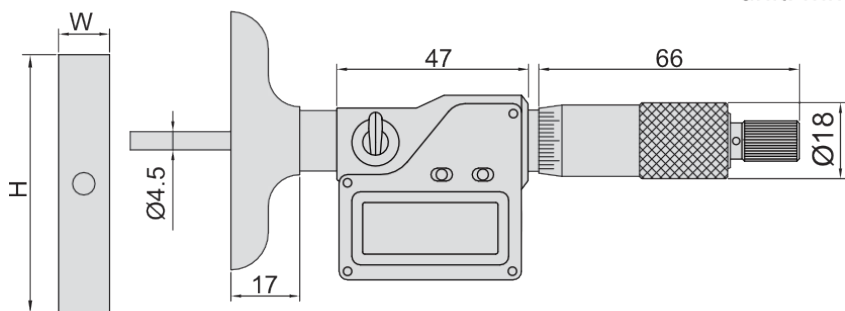


## Features

- Resolution: 0.001mm/0.00005"
- Micrometer head accuracy:  $\pm 3\mu\text{m}$
- Rod accuracy:  $\pm (2+L / 75)\mu\text{m}$ , L is the measuring range in mm
- Buttons: on/off, set, mm/inch, ABS/INC, data output
- IP54 protection level
- Data output
- Automatic power off
- Rods with flat end
- Ratchet stop

© Copyright M Gamer Pty. Ltd. 2023

unit: mm



© Copyright M Gamer Pty. Ltd. 2023

## Specifications

Part No	Range	Base	Rod
AC-395-002-01	0-50mm/0-2"	101x17mm	2pcs
AC-395-002-02	0-50mm/0-2"	63x17mm	2pcs
AC-395-006-01	0-150mm/0-6"	101x17mm	6pcs
AC-395-006-02	0-150mm/0-6"	63x17mm	6pcs
AC-395-012-01	0-300mm/0-12"	101x17mm	12pcs
AC-395-012-02	0-300mm/0-12"	63x17mm	12pcs