

ACCUD

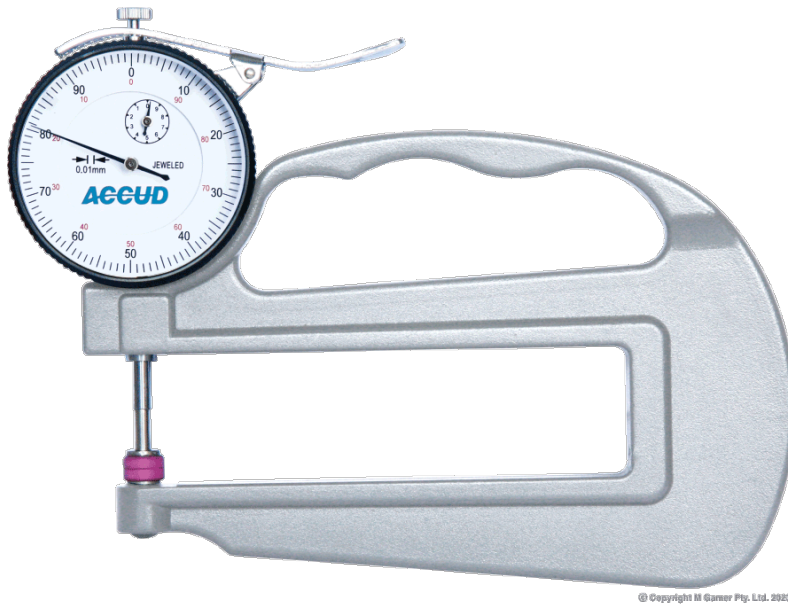
ACCURATE MEASUREMENT



See full product range at: accud.com.au

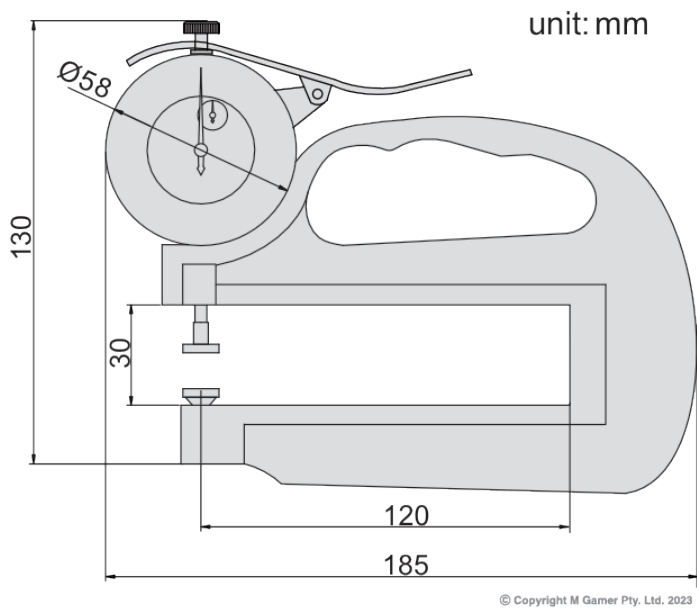
Thickness Gauge

Series 444



Features

Large throat depth, for large workpiece measurement
Graduation: 0.01mm



Specifications

Part No	Range	Accuracy	Anvil
AC-444-010-11	0-10mm	±0.02mm	A
AC-444-010-12	0-10mm	±0.02mm	B
AC-444-020-11	0-20mm	±0.03mm	A
AC-444-020-12	0-20mm	±0.03mm	B