

# ACCUD

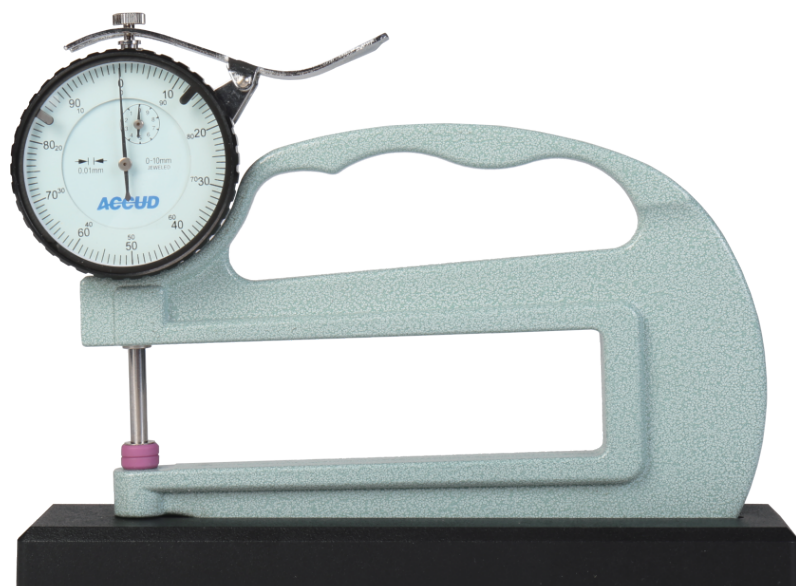
## ACCURATE MEASUREMENT



See full product range at: [accud.com.au](http://accud.com.au)

# Thickness Gauge

Series 444

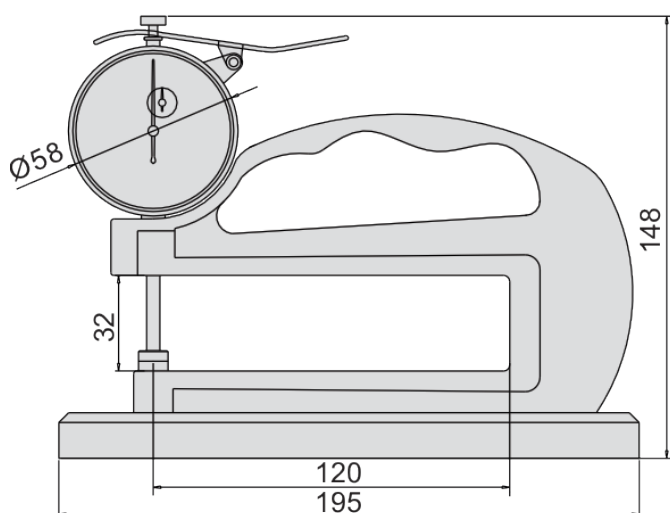


© Copyright M Gamer Pty. Ltd. 2023

## Features

Large throat depth, for large workpiece measurement  
Graduation: 0.01mm

unit: mm



© Copyright M Gamer Pty. Ltd. 2023

## Specifications

Part No	Range	Accuracy	Anvil
AC-444-010-11B	0-10mm	±0.02mm	A
AC-444-010-12B	0-10mm	±0.02mm	B
AC-444-020-11B	0-20mm	±0.03mm	A
AC-444-020-12B	0-20mm	±0.03mm	B