

ACCUD

ACCURATE MEASUREMENT



See full product range at: accud.com.au

Thickness Gauge with Rolling Wheel

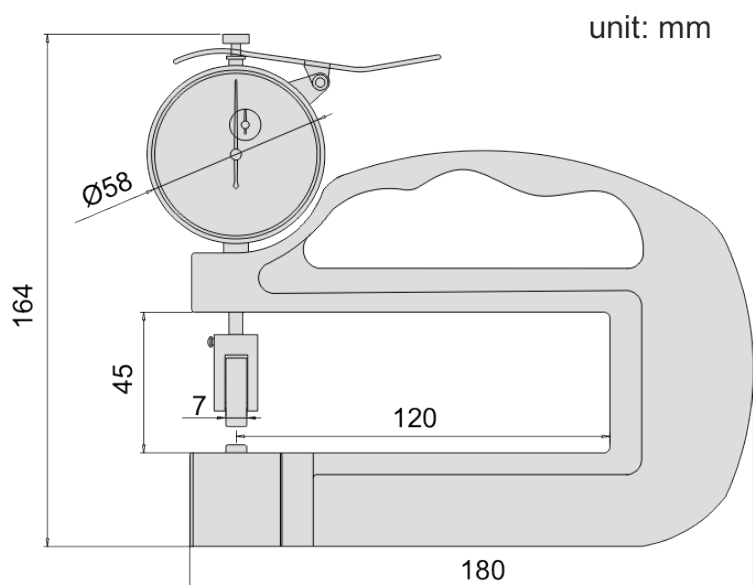
Series 445



© Copyright M Gamer Pty. Ltd. 2023

Features

For continuous measurement
Graduation: 0.01mm



© Copyright M Gamer Pty. Ltd. 2023

Specifications

Part No	Range	Accuracy
AC-445-010-11	0-10mm	$\pm 0.02\text{mm}$