

ACCUD

ACCURATE MEASUREMENT



See full product range at: accud.com.au

Thickness Gauge

Series 447

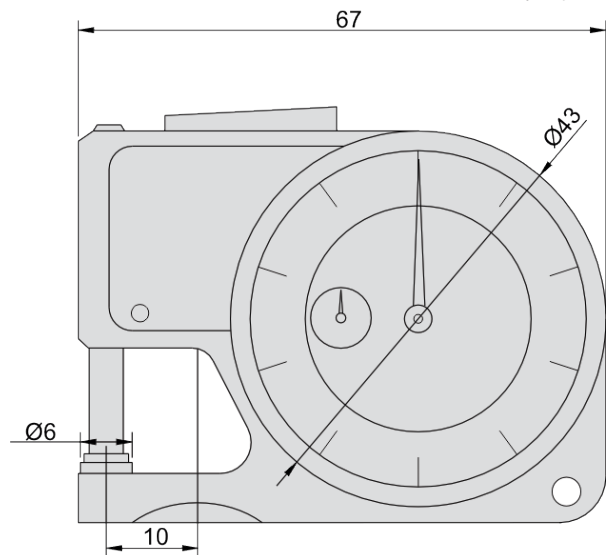


© Copyright M Gamer Pty. Ltd. 2023

Features

Stainless steel spindle tip and anvil
Graduation: 0.01mm

unit: mm



© Copyright M Gamer Pty. Ltd. 2023

Specifications

Part No	Range	Accuracy
AC-447-010-11	0-10mm	±0.02mm