

# ACCUD

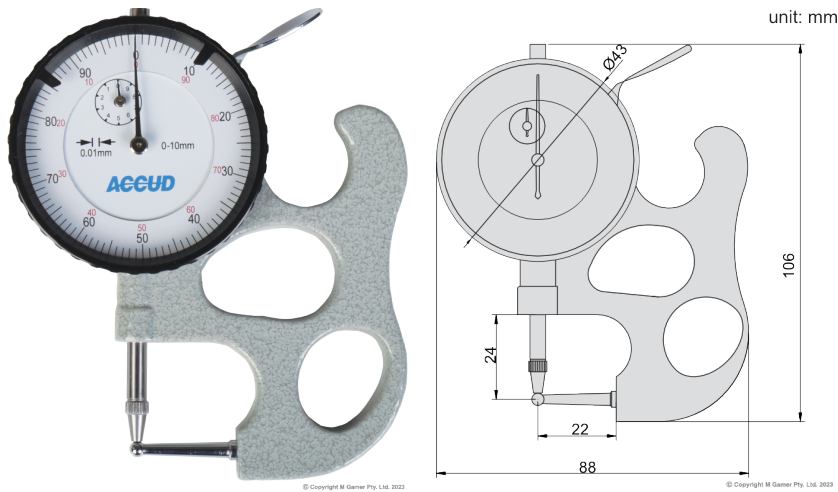
## ACCURATE MEASUREMENT



See full product range at: [accud.com.au](http://accud.com.au)

# Thickness Gauge

Series 448



## Features

Measure the wall thickness of tube  
Graduation: 0.01mm

## Specifications

Part No	Range	Accuracy
AC-448-010-11	0-10mm	±0.02mm