

ACCUD

ACCURATE MEASUREMENT



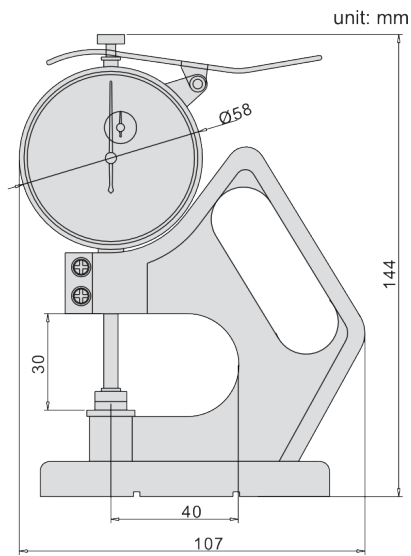
See full product range at: accud.com.au

Thickness Gauge

Series 449



© Copyright M Gamer Pty. Ltd. 2023



© Copyright M Gamer Pty. Ltd. 2023

Features

Ceramic anvil, diameter Ø10mm
Graduation: 0.02mm

Specifications

Part No	Range	Accuracy
AC-449-010-11	0-10mm	±0.02mm