

ACCUD

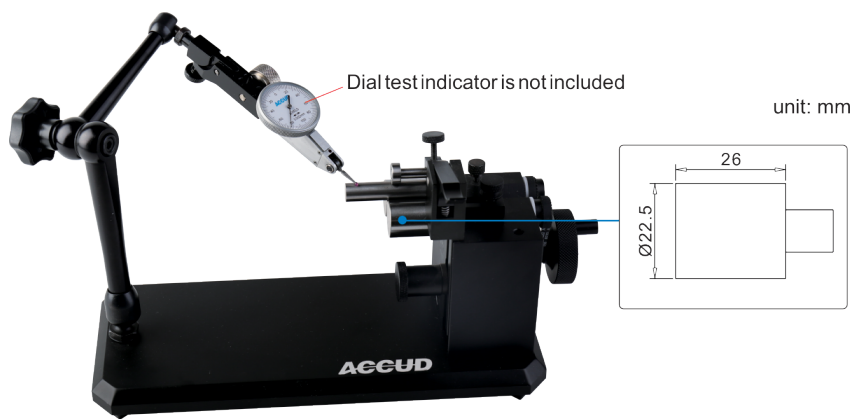
ACCURATE MEASUREMENT



See full product range at: accud.com.au

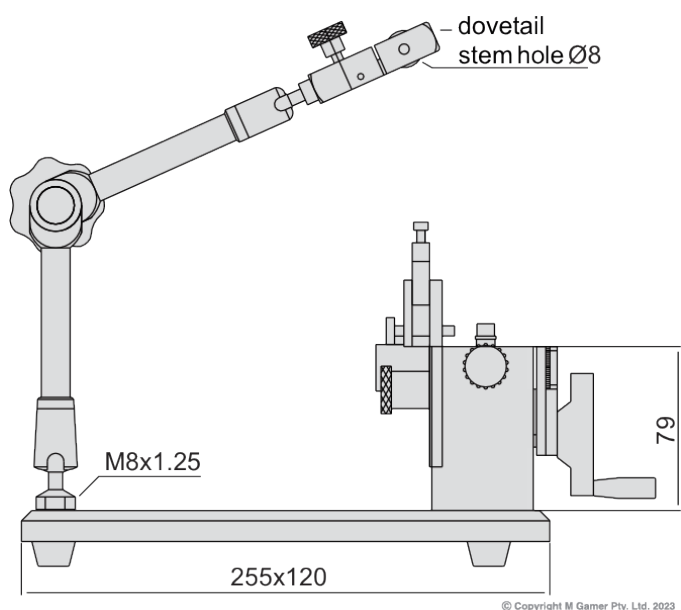
Concentricity Gauge

Series 660



Features

Optional accessories: dial test indicator (code: 261-002-01 or 261-002-02) and Mini magnetic stand (code: 286-040-01)



Specifications

Part No	Applicable Diameter
AC-660-001-01	Ø3-35mm