

ACCUD

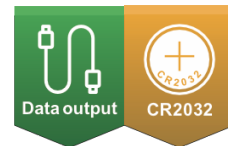
ACCURATE MEASUREMENT



See full product range at: accud.com.au

Digital Protractor

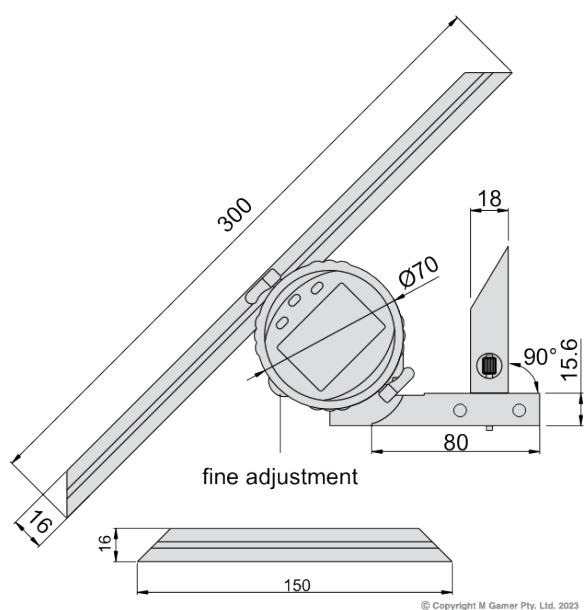
Series 822



Features

- Button function:
- SET: preset the reading and change the measuring direction
- MODE: choose range 90°, 180°, 360°
- ZERO/ON/OFF: set zero and power on/off
- Data output
- With a 150mm blade and a 90° square
- Made of stainless steel

© Copyright M Gamer Pty. Ltd. 2023



© Copyright M Gamer Pty. Ltd. 2023

Specifications

| Part No | Range | Accuracy | Resolution |
|---------------|----------|----------|------------|
| AC-822-360-01 | 0 - 360° | ±5' | 10"/0.005° |