

ACCUD

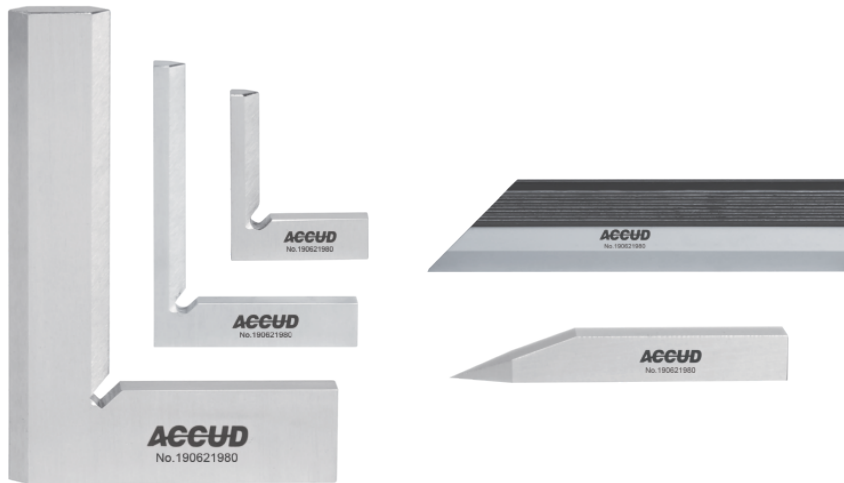
ACCURATE MEASUREMENT



See full product range at: accud.com.au

Square Set

Series 839

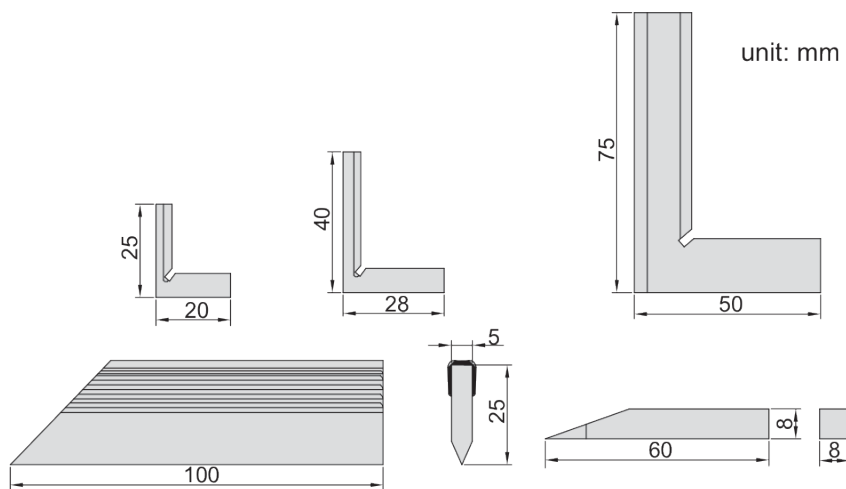


Features

Includes:

- 90° tool maker square 25x20mm DIN875 grade 00 (code 833-025-00)
 - 90° tool maker square 40x28mm DIN875 grade 00 (code 833-040-00)
 - 90° beveled edge square 75x50mm DIN875 grade 00 (code 832-003-00)
 - straight edge 100mm DIN874 (code 994-004-01)
 - scriber
- Made of hardened stainless steel

© Copyright M Gamer Pty. Ltd. 2023



© Copyright M Gamer Pty. Ltd. 2023

Specifications

Part No

AC-839-000-05